

ROTAPULS • ROTACOD

Wire actuated transducer for encoders

series

SF



- Reduced dimensions
- Suitable for every CK58 and AMC58 encoder series
- Measuring length up to 6800 mm



SF



www.lika.biz
• data sheet

SUITABLE ENCODER

CK58-H-500ZCU415R (see on page 11):	Incremental encoder
CK58-H-2000ZCU415R (see on page 11):	Incremental encoder
AMC5812/4096GS-15 + E10MLS (see on page 11):	SSI absolute encoder
AMC5812/4096PB-15 + CC-PB (see on page 11):	Profibus absolute encoder

ENVIRONMENTAL SPECIFICATIONS

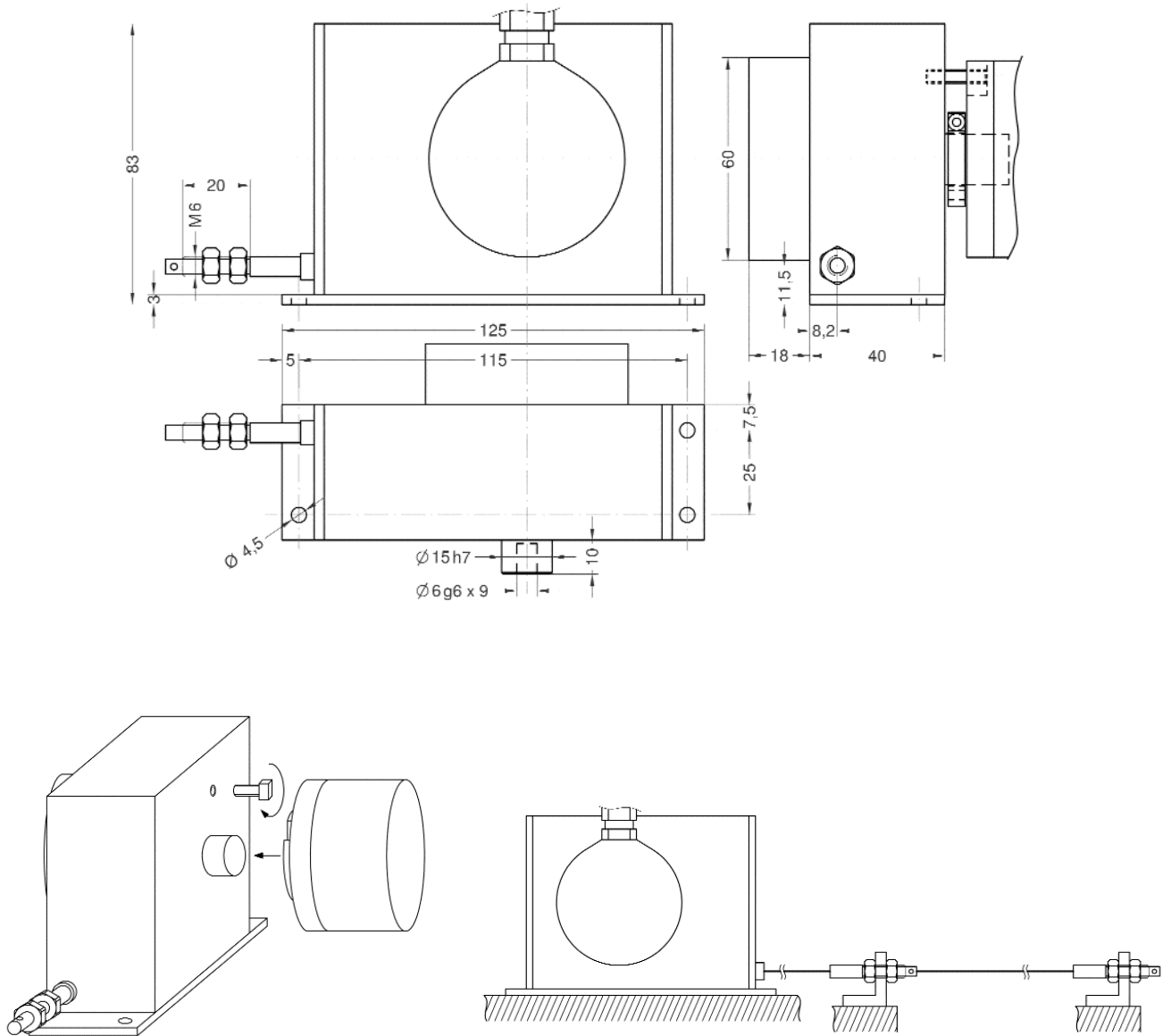
Operating temperature range:	-20°C + 70°C (-4°F + 158°F)
Protection:	see encoder

MECHANICAL SPECIFICATIONS

Dimensions	see drawing
Stroke per turn:	200 mm
Wire retraction force:	5 ÷ 15 N
Measuring length:	< 6800 mm
Measuring speed:	2,5 m/sec max.
Weight:	~ 0,8 kg (without encoder)

MATERIALIEN - MATERIALI USATI

Housing:	Anodized aluminium
Wire:	Stainless steel



SF

ORDERING CODE

	XX	-	X	-	XXXX
SERIES	SF				
STROKE PER TURN	200 mm		I		
					MEASURING LENGTH
				5000	5000 mm
				6800	6800 mm